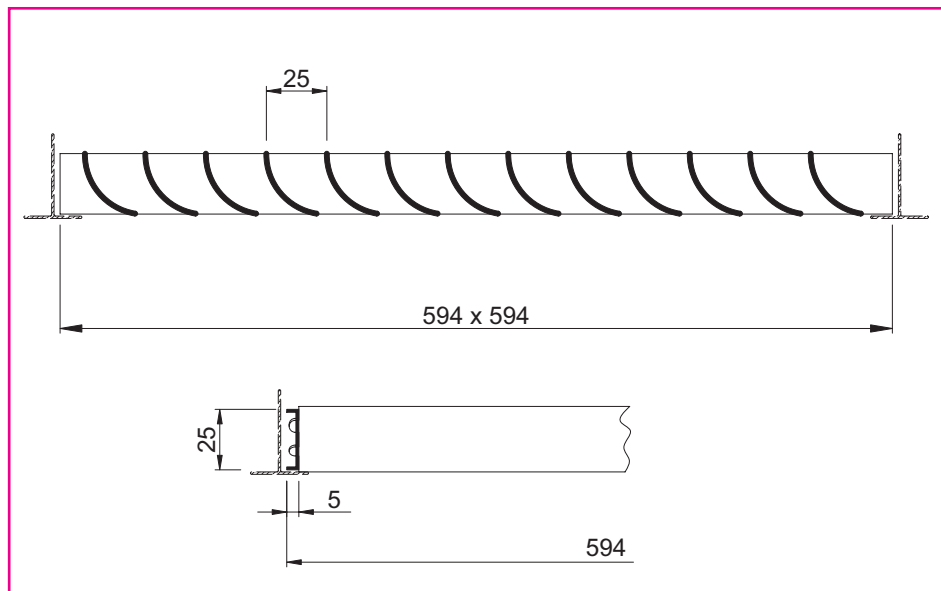


FIXED GRILLE FOR SUSPENDED CEILINGS BC100

Installation dimensions



Application

The grille type BC100 is used for the supply and exhaust of air for all ventilation, smoke extraction and air-conditioning installations in facilities such as offices, shopping centres, ... The grille is especially designed for use in suspended ceilings.

Selection table

Airflow rate q_v (m ³ /h)	Noise level (NR)	Air velocity v_k (m/s)	Throw L_T (m) at $v_T = 0,33$ m/s
800	18	1,8	5,5
1000	22	2,2	6,9
1200	27	2,6	8,0
1400	31	3,1	9,1
1600	34	3,5	11,0
1800	37	3,9	12,5
2000	40	4,4	13,6
2200	42	4,8	14,1
2400	44	5,3	14,5

A_k value = 0,126 m²

Pressure loss see p 2.161 Verso

Technical information

Characteristics :

- o/all dimension 594 x 594 mm
- construction with fixed curved blades without frame
- blades on 25 mm centre
- in height available in multiples of 25 mm, in length only available in 294, 594 and 665 mm
- light construction
- high free passage
- sight proof

Construction:

- blades in extruded aluminium, natural tone anodised
- painted in RAL-colour on request

Specifications description

Example:

Exhaust grille with fixed curved blades without frame. The grille is designed for replacing a suspended ceiling tile of 600 x 600 mm. Construction out of extruded aluminium, natural tone anodised.

Type: BC100

nom. dim. (LxH) 594 x 594 mm

Fixing

Suspended mounting in ceilings

How to order

BC100 size 594x594 mm

B	C	1	0	0	-	-	0	5	9	4	0	5	9	4
							L				H			