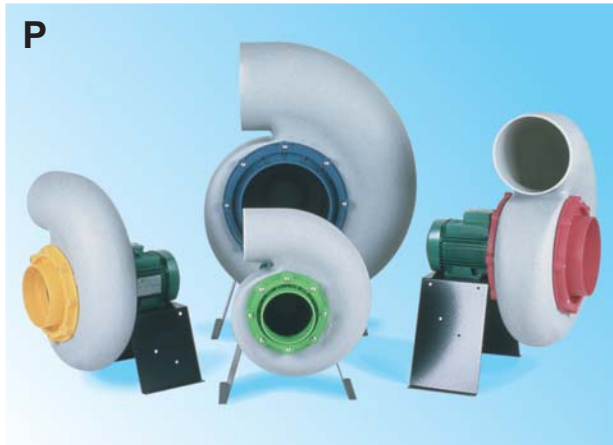


PLASTIC FANS



P
15, 20, 25, 30 & 35

PS
10, 12, 14, & 16

JET
20, 25 & 30

Polypropene plastic fans for tough work environments in laboratories and the chemical industry

The FUMEX range of plastic fans for air flows from 20 to 10 000m³/h are available in two designs; range P and PS for separate mounting indoors or outdoors, and range JET for roof mounting outdoors.

Range PS are specially designed for extractor arms when higher pressure is needed.

The fans are made of recyclable polypropene. The standard motor bracket for range P is made of powder-coated sheet steel. Impeller with forward curved blades. Accessories are available for range P and PS.

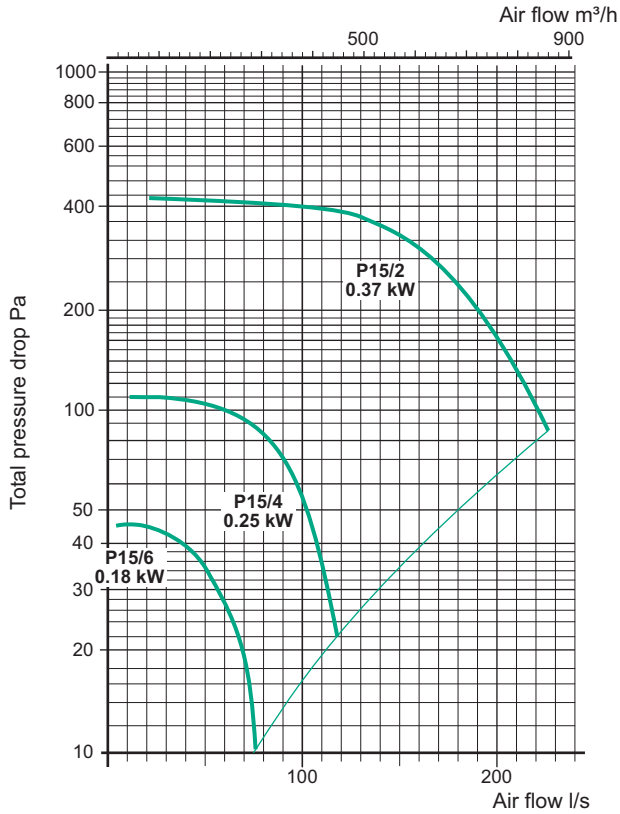
All models P, PS and JET can also be delivered in accordance with ATEX directive

⊕ CE EXII 3 G c IIB T4

Fumex also offers a range of accessories, automatic control devices and filters for our local extractors.

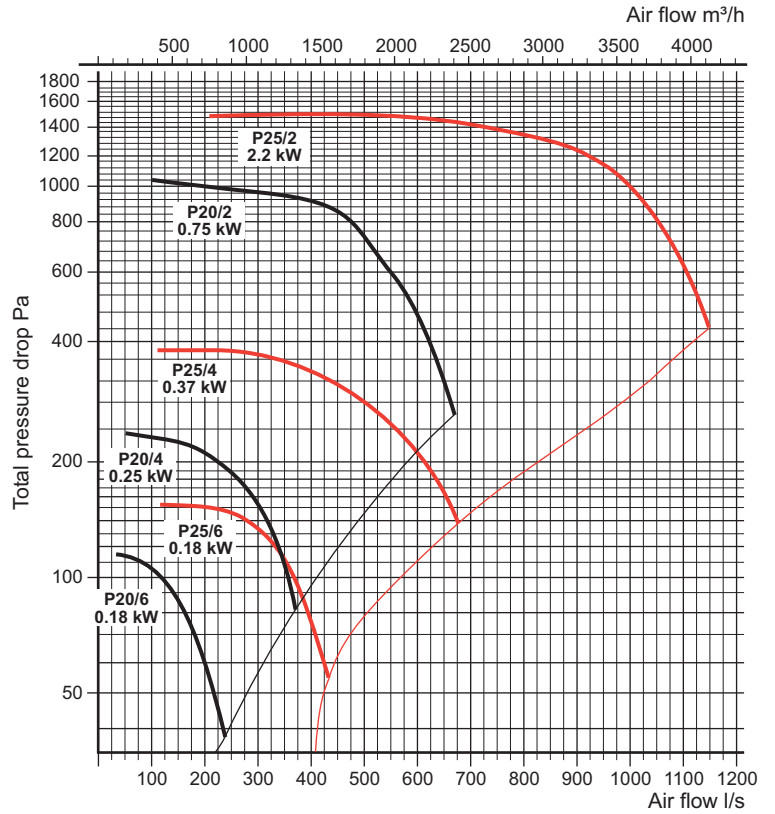
FUMEX[®]
LOCAL EXTRACTOR
Pure advantage

Fan performance P 15



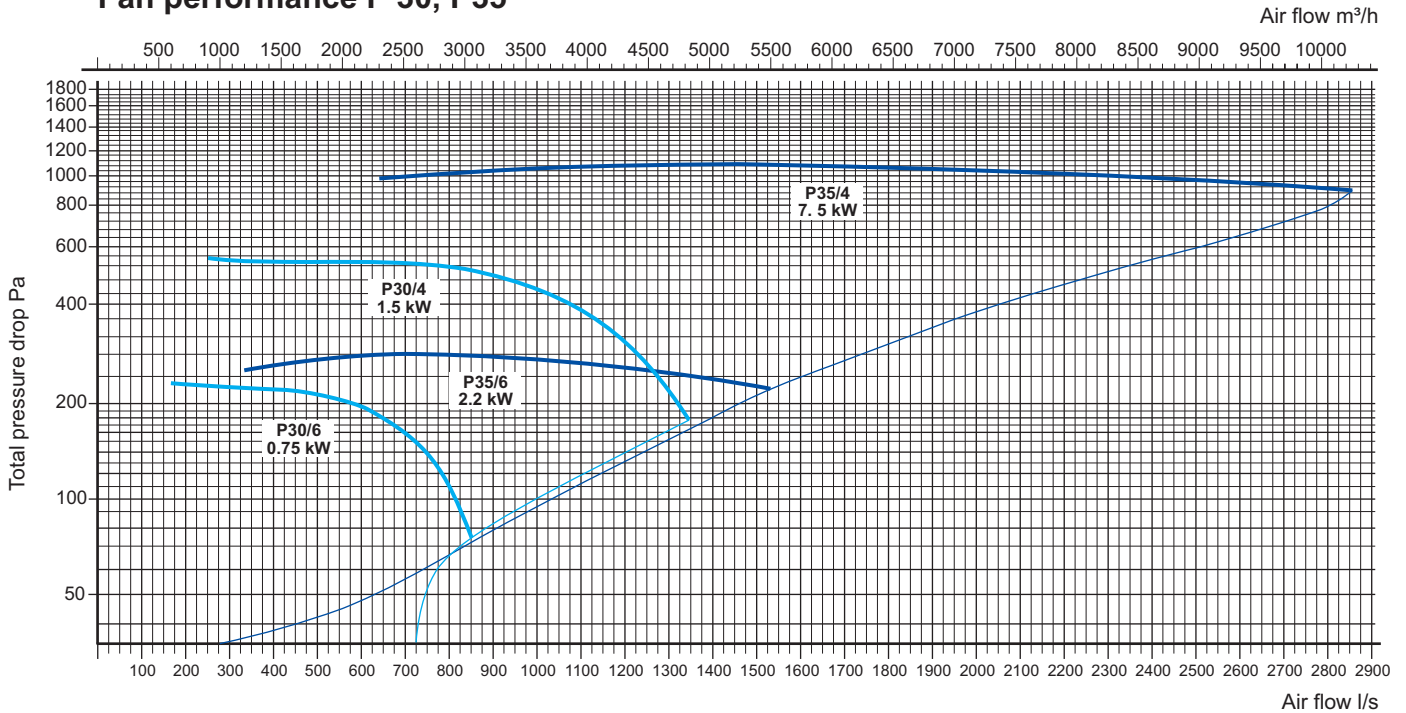
P 15 — Pt
— Pd

Fan performance P 20, P 25



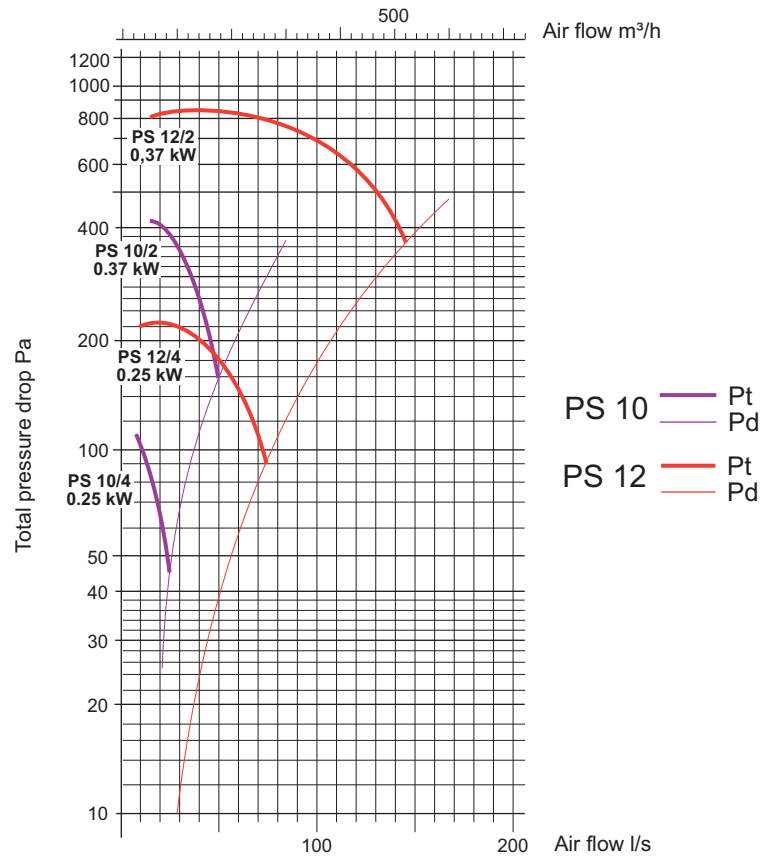
P 20 — Pt
— Pd P 25 — Pt
— Pd

Fan performance P 30, P 35

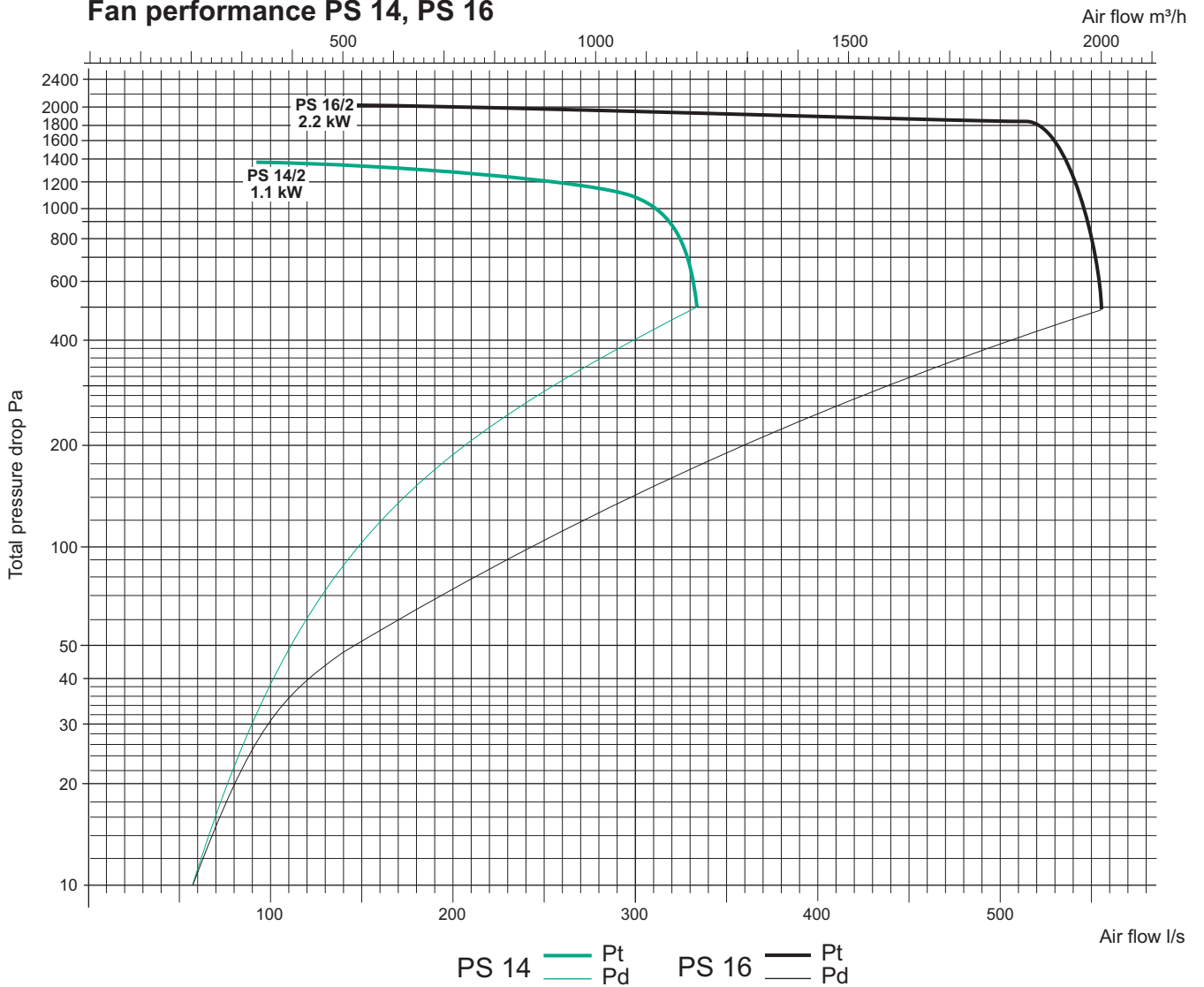


P 30 — Pt
— Pd P 35 — Pt
— Pd

Fan performance PS 10, PS 12



Fan performance PS 14, PS 16



Reference	Rotation	Rated power	Rated current		Operating	Weight	
			A 1-phase 230 V	A 3-phase 230 V 400 V			
	rpm	kW			V	Kg	
P 15/2-3	2800	0.37		1.78	1.03	230/400	8
P 15/4-3	1400	0.25		1.4	0.81	230/400	8
P 15/6-3	900	0.18		1.31	0.76	230/400	8
P 15/2-1	2800	0.37	2.7		230	8	
P 15/4-1	1400	0.25	2.0		230	10	
P 20/2-3	2800	0.75		3.46	2.0	230/400	11
P 20/4-3	1400	0.25		1.4	0.81	230/400	10
P 20/6-3	900	0.18		1.31	0.76	230/400	10
P 20/2-1	2800	0.75	5.1		230	12	
P 20/4-1	1400	0.25	2.0		230	8	
P 25/2-3	2800	2.2		8.3	4.8	230/400	22
P 25/4-3	1400	0.37		2.08	1.2	230/400	11
P 25/6-3	900	0.18		1.31	0.76	230/400	11
P 25/4-1	1400	0.37	2.9		230	13	
P 30/4-3	1400	1.5		6.31	3.65	230/400	22
P 30/6-3	900	0.75		25.5	14.7	230/400	82
P 35/4-3	1400	7.5		22.1	12.7	230/400	67
P 35/6-3	900	2.2		9.0	5.2	230/400	56
PS 10/2-3	2800	0.37		1.78	1.03	230/400	6
PS 10/4-3	1400	0.25		1.4	0.81	230/400	6
PS 10/2-1	2800	0.37	2.7		230	6	
PS 10/4-1	1400	0.25	2.0		230	6	
PS 12/2-3	2800	0.37		1.78	1.03	230/400	7
PS 12/4-3	1400	0.25		1.4	0.81	230/400	7
PS 12/2-1	2800	0.37	2.7		230	7	
PS 12/4-1	1400	0.25	2.0		230	7	
PS 14/2-3	2800	1.1		4.26	2.4	230/400	13
PS 14/2-1	2800	1.1	6.25		230	13	
PS 16/2-3	2800	2.2		8.0	4.6	230/400	21

Fans P and PS

Fan casing

Made of recyclable polypropene, stainless steel screws. The standard motor bracket is made of powder-coated sheet steel, but may also be delivered in polypropene.

Impeller

Made of recyclable polypropene, impeller with forward curved blades.

Motor

3-phase or single phase asynchronous motor. Housing rated IP 55. Insulation class F. Versions available on request include other voltages, two-speed and explosion proof etc.

Temperatur range

Air temperatur: -20 to + 80° C
(maximum ambient temperatur +40° C)

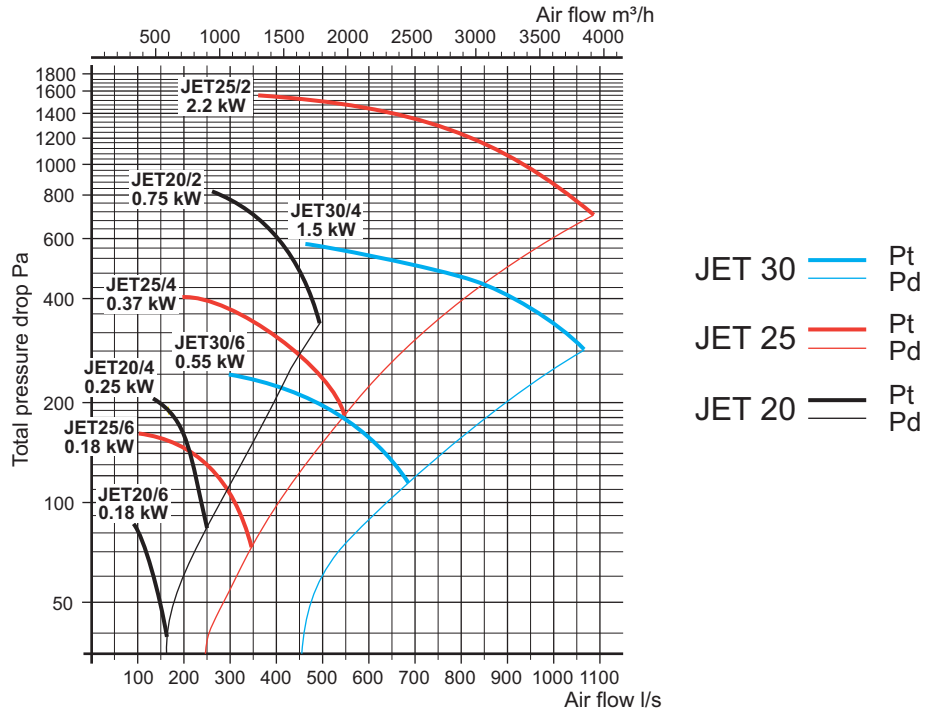
Accessories

The FUMEX range also includes contactors and manually operated protective motor switches. Where variable fan speeds are required, use the FUMEX electronic controller SFO, which may be combined with pressure regulator ST 200 to optimise fan performance. See also product sheet *Control units*.

Other information

Fans range P, are also available in reversed design.

Fan performance JET 20, JET 25, JET 30



Reference	Rotation rpm	Rated power kW	Rated current		Operating V	Weight Kg	
			A 1-phase 230 V	A 3-phase 230 V 400 V			
JET 20/2-3	2800	0.75		3.28	1.9	230/400	24
JET 20/4-3	1400	0.25		1.66	0.96	230/400	21
JET 20/6-3	900	0.18		1.38	0.8	230/400	21
JET 25/2-3	2800	2.2		8.82	5.1	230/400	39
JET 25/4-3	1400	0.37		2.08	1.2	230/400	28
JET 25/6-3	900	0.18		1.38	0.8	230/400	28
JET 30/4-3	1400	1.5		6.4	3.7	230/400	43
JET 30/6-3	900	0.55		3.11	1.8	230/400	38

Fans JET

Fan casing

All-plastic, recyclable polypropene, stainless steel screws. Electric connection to an outer standard mounted safety switch.

Impeller

Made of recyclable polypropene, impeller with forward curved blades.

Motor

3-phase or single phase asynchronous motor. Housing rated IP 55. Insulation class F. Versions available on request include other voltages, two-speed and explosion proof etc.

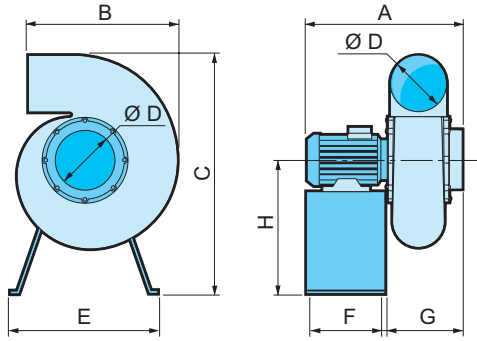
Temperatur range

Air temperatur: -20 to + 80° C
(maximum ambient temperatur +40° C)

Accessories

The FUMEX range also includes contactors and manually operated protective motor switches. Where variable fan speeds are required, use the FUMEX electronic controller SFO, which may be combined with pressure regulator ST 200 to optimise fan performance. See also product sheet *Control units*.

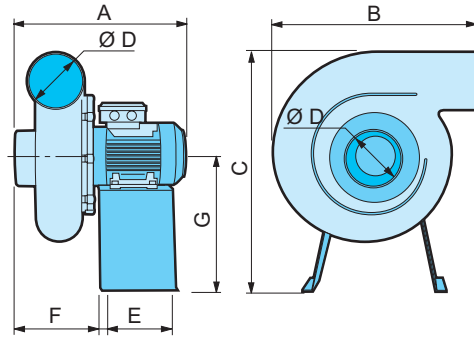
P 15, P 20, P 25, P 30, P 35



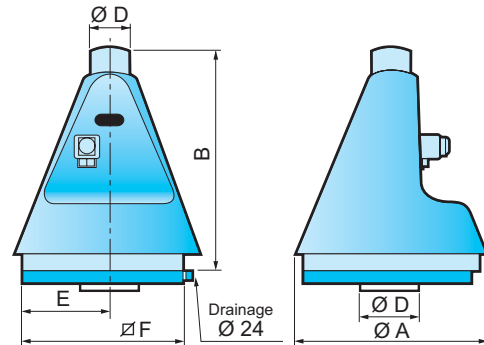
	A (mm)	B (mm)	C (mm)	Ø D (mm)	E (mm)	F (mm)	G (mm)	H (mm)
P 15	360	303	543	125	340	160	180	303
P 20	390	340	606	160	340	160	210	303
P 25/2	515	413	755	200	420	180	235	390
P 25/4/6	415	413	736	200	420	160	235	371
P 30	540	490	910	250	460	220	265	460
P 35	724	580	1150	315	600	314	380	580

	A (mm)	B (mm)	C (mm)	Ø D (mm)	E (mm)	F (mm)	G (mm)	H (mm)
PS 10	285	285	295	75	260	140	137	240
PS 12	350	375	486	90	340	160	152	311
PS 14	433	445	552	125	340	160	193	320
PS 16	477	540	478	160	420	160	197	390

PS 10, PS 12, PS 14, PS 16



JET 20, JET 25, JET 30

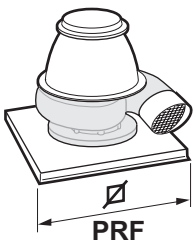


	Ø A (mm)	B (mm)	Ø D (mm)	E (mm)	Ø F (mm)
JET 20	600	800	160	250	540 inv
JET 25	735	930	200	305	540 inv
JET 30	880	1040	250	200	540 inv

ACCESSORIES, RANGE P & PS

Roof mounting kit PRF for range P

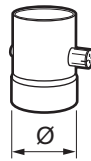
For roof flashing mounting. Made of polypropene



	Ø (mm)
PRF 15 / P15	547
PRF 20 / P20	547
PRF 25 / P25	547
PRF 30 / P30	547
PRF 35 / P35	700

Manual adjustment damper PMJ

Made of PVC plastic.



	Ø (mm)
PMJ-125	125
PMJ-160	160
PMJ-200	200
PMJ-250	250
PMJ-315	315

Backdraft shutter PBS

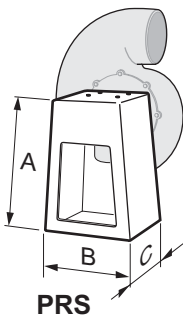
Made of PVC plastic.



	Ø (mm)
PBS-125	125
PBS-160	160
PBS-200	200
PBS-250	250
PBS-315	315

Motor bracket with weather protection for motor PRS

Made of polypropene.
PRS 350 for PS12, P15 & P20
PRS 450 for till PS14, P25/4-6
PRS 550 for till PS16, P25/2 & P30
PRS 750 for till P35



	Ø A (mm)	Ø B (mm)	Ø C (mm)
PRS 350	395	320	260
PRS 450	450	330	260
PRS 550	550	400	365
PRS 750	750	580	500

Reducers, type PRM

Made of PVC plastic.



	AØ (mm)	BØ (mm)
PRM 75/90	75	90
PRM 90/125	90	125
PRM 125/160	125	160
PRM 125/200	125	200
PRM 160/200	160	200
PRM 200/250	200	250
PRM 200/315	200	250
PRM 250/315	250	315
PRM 315/400	315	400

Flexibles, type PDS

Made of flexible PVC plastic. Included: 2 clamps



	Ø (mm)
PDS-090	90
PDS-125	125
PDS-160	160
PDS-200	200
PDS-250	250
PDS-315	315

Outlet protection grill PUG

Made of PVC plastic.



	Ø (mm)
PUG-090	90
PUG-125	125
PUG-160	160
PUG-200	200
PUG-250	250
PUG-315	315