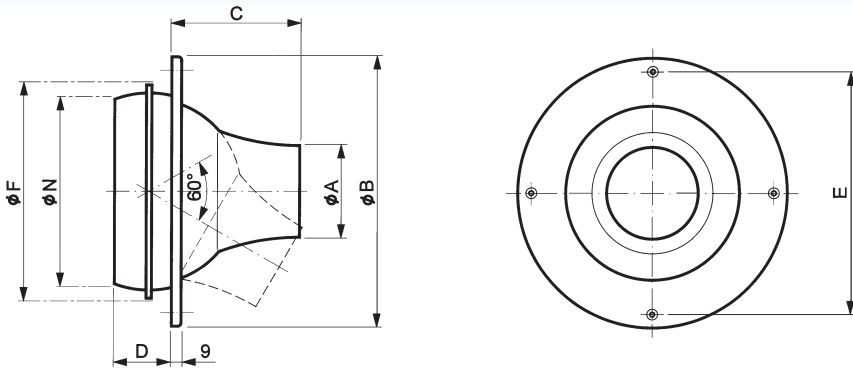


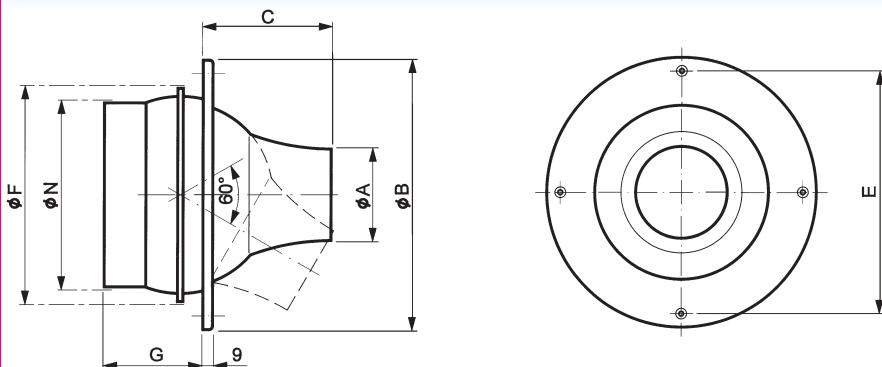
JET DIFFUSERS JD

Installation dimensions

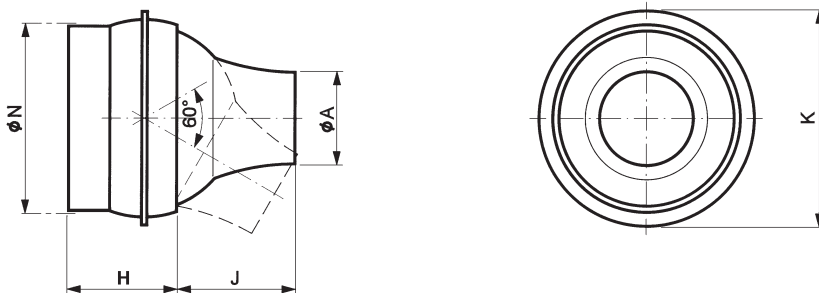
JD110



JD120

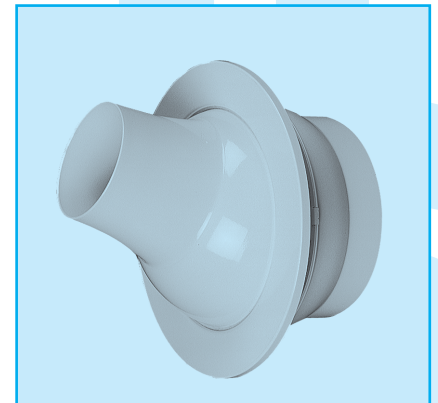


JD130



ϕ N	ϕ A	ϕ B	C	D	E	ϕ F	G	H	J	K
160	85	248	120	51	225	200	101	110	110	196
200	110	298	150	66	270	245	116	125	140	238
250	140	363	190	81	320	295	131	140	180	288
315	175	448	255	90	390	360	155	165	245	355
400	220	600	290	120	570	450	190	200	280	440

All dimensions in mm.



Application

The jet diffusers, type JD, are especially developed for large and high areas such as concert halls, theaters, galleries, airports, shopping centres, industrial plants etc.

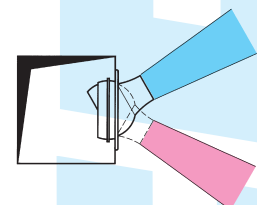
Through their aerodynamic design they ensure a reduced noise level and even a long throw at high outlet velocities. In all versions, the jet is adjustable over 360°.

As these jet diffusers handle different supply air temperatures, the jet can be oriented upwards or downwards (heating or cooling mode). Orientation manually or with servo-motor.

Technical information

Characteristics

- adjustable over 60° (cooling - heating)



- oscillant over 360°
- high induction level
- low noise level
- available with 2 or 3 jet diffusers integrated into one panel (JD210 & JD310)
- panel includes type JD110 jet diffusers
- motorised construction available

Construction

- painted white (RAL 9010)

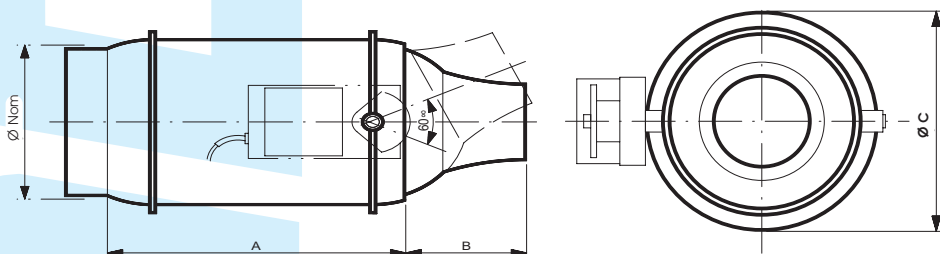
Specifications description

Example :

Jet diffuser for mounting on wall or duct with flat mounting flange and fully adjustable jet. Special packing between sphere and box. Aerodynamic design for a reduced noise level. The diffuser is painted in white (RAL9010).

Type : JD110
Size ... mm

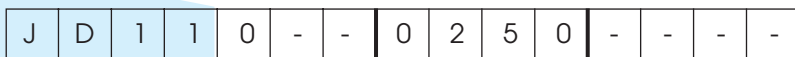
- JD140B3 : with Belimo motor LM24A-SR



Ø Nom	A	B	Ø C
160	271	110	196
200	283	140	238
250	293	180	288
315	315	245	355
400	340	280	440

How to order

JD110, size 250 mm



size

- : without motor
B3: Belimo motor LM24A-SR

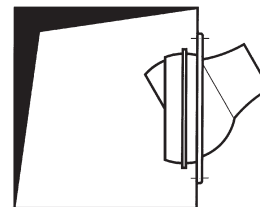
- 1 : wall fixing directly on duct
- 2 : wall fixing, connection with flex ducts
- 3 : direct mounting on circular ducts
- 4 : motorised construction (without motor)

- 1 : jet diffuser only
- 2 : panel with 2 diffusers
- 3 : panel with 3 diffusers

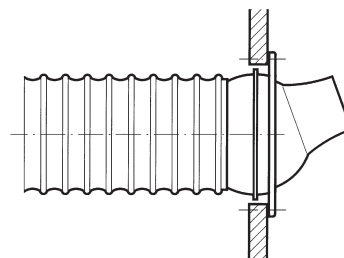
Fixing

- jet diffuser : the choice among 3 different constructions

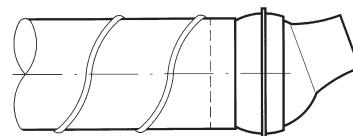
- JD110 : wall fixing with screws directly on duct



- JD120 : wall fixing with screws, connection with flex ducts



- JD130 : direct mounting on fixed circular ducts

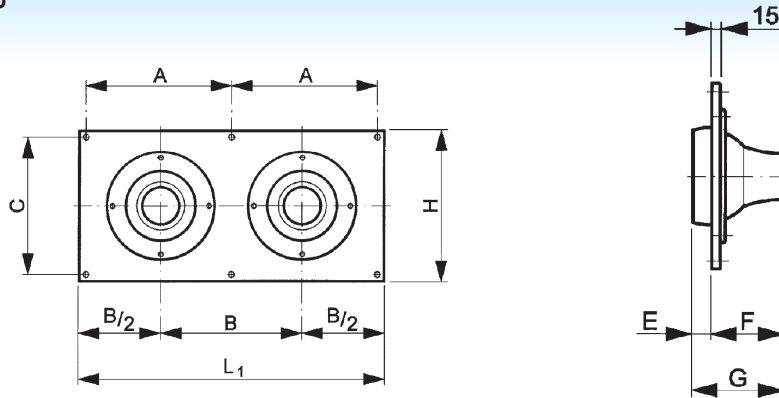


- panel : to ease the simultaneous mounting of different jet diffusers side by side on a wall or a duct possibility is given to get 2 or 3 jet diffusers pre-mounted on one panel. The panel is fixed by screws onto the wall or the panel.

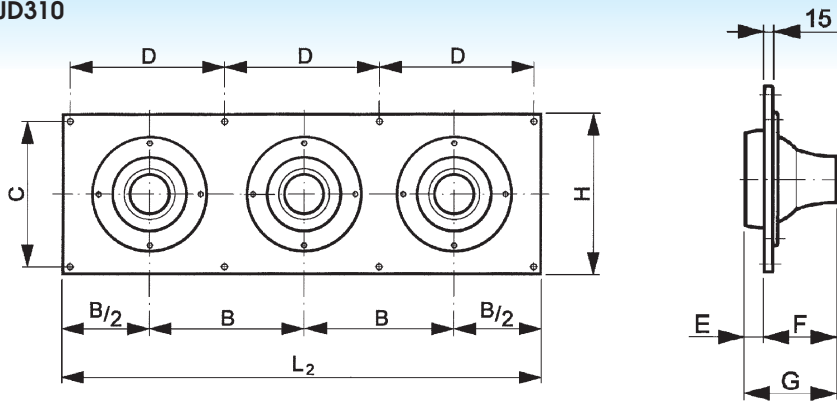
JET DIFFUSERS JD210 • JD310

Installation dimensions

JD210



JD310



Size	L_1	L_2	H	A	B	C	D	E	F	G
160	700	1050	350	335	350	320	340	36	134	170
200	800	1200	400	385	400	370	390	51	164	215
250	900	1350	450	435	450	420	440	66	204	270
315	1040	1560	520	510	520	490	510	76	269	345
400	1250	1875	625	610	625	595	615	106	304	410

All dimensions in mm.

