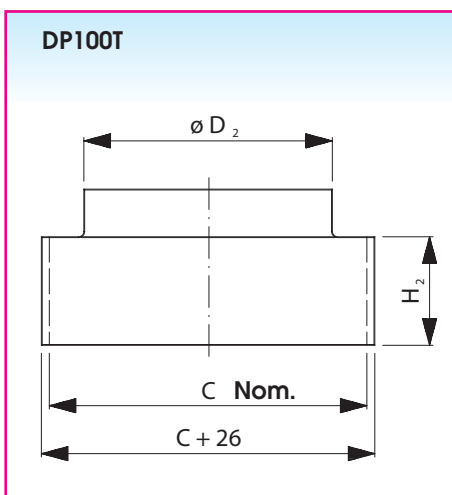
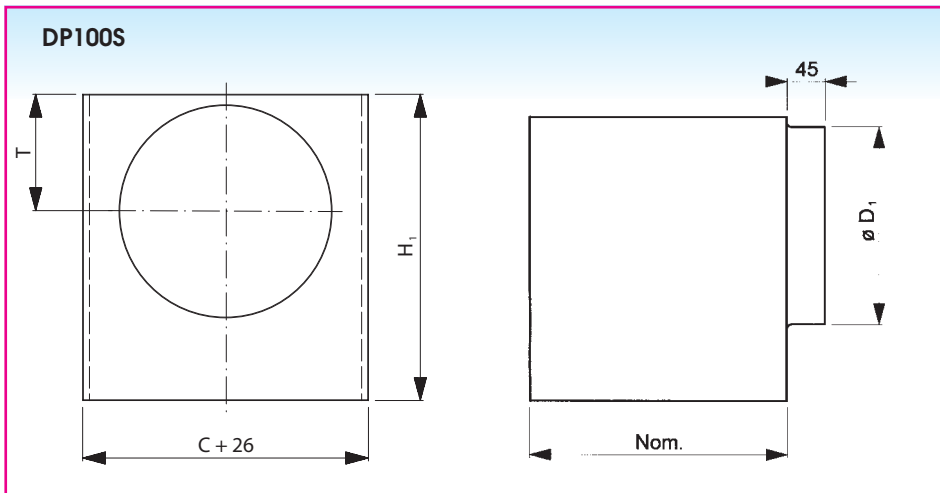


### PLENUM BOX DP100S • DP100T

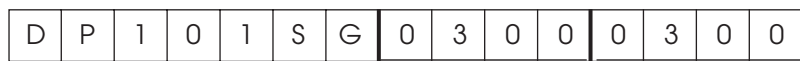
#### Installation dimensions



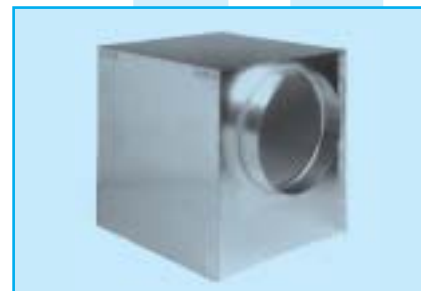
All dimensions in mm.

#### How to order

DP100 with side entry and damper, insulated, for a diffuser with nominal dimensions 300 x 300 mm.



- : non-insulated plenum
- G: internally insulated plenum
- H: plenum insulated at the top and on the opposite side of the inlet (only side entry)
- S : side entry
- T : top entry
- 0 : without damper
- 1 : with damper in inlet spigot
- 0 : without perforated equalisation plate
- 1 : with perforated plate (only S)
- 2 : without perforated plate, with mounting support for central screw fixing (only S)
- 3 : with perforated plate, with mounting support for central screw fixing (only S)



#### Application

The plenum box DP100 is used for installation with square or rectangular diffusers and grilles. The plenum is used for both a fixed mounting and a central screw fixing. For an even air pattern through the diffuser, the plenum can be equipped with a perforated equalisation plate. Flow control is possible by a perforated damper in the inlet spigot of the plenum.

The plenum can be delivered with side or top entry, insulation plenum boxes can be supplied if required.

#### Technical information

##### Characteristics

- square or rectangular
- fixed mounting on the diffuser or supplied with a mounting support for central screw fixing (only DP100S)
- circular side or top entry
- perforated damper in inlet spigot possible
- internal perforated air diffusion plate available; only DP100S
- provided with mounting eyes ( $\varnothing 7\text{mm}$ ), mounting straps available on demand
- plenum can be internally insulated
- other dimensions available

##### Construction

- Galvanised sheet steel with inlet spigot 125/160/200 and 250mm in PVC

## Specifications description

### Example :

Insulated plenum box with side entry, supplied with damper and perforated plate for an optimal air pattern.

The plenum is supplied with a mounting support for central screw fixing and can be mounted by mounting straps.

### Type : DP131SG

Dim. ... x ... mm

## Possible deliveries

- **DP100S/DP100T** : plenum box for fixed mounting on diffusers or grilles
- **DP101S/DP101T** : DP100S/DP100T with damper in the inlet spigot
- **DP110S** : DP100S with perforated equalisation plate
- **DP111S** : DP100S with damper and perforated plate
- **DP120S** : plenum box with mounting support for central screw fixing
- **DP121S** : DP120S with damper in the inlet spigot
- **DP130S** : DP120S with perforated plate
- **DP131S** : DP120S with damper and perforated plate
- **DP1..SG/DP100TG/DP101TG** : internal insulated plenum box

## Installation dimensions

### Square plenum box with side or top entry

Nom.	$\varnothing D_1 \cdot \varnothing D_2$	H <sub>1</sub>	H <sub>2</sub> (1)
150	125	225	100
200	160	260	130
225	200	300	150
250	200	300	150
300	200	300	150
350	250	350	175
375	315	415	210
400	315	415	210
450	315	415	210
500	355	455	230
525	400	500	250
600	400	500	250

(1) : dimension H<sub>2</sub> with damper  
without damper, height H<sub>2</sub> = 100 mm

All dimensions in mm.

### Rectangular plenum box with side entry

Nom.	$\varnothing D_1$	T	H <sub>1</sub>
200x100	80	55	230
250x100	100	65	250
250x150	125	77	275
300x100	100	65	250
300x150	125	77	275
300x200	160	95	300
400x100	125	77	275
400x150	160	95	300
400x200	200	115	350
500x100	160	95	300
500x150	200	115	350
500x200	250	140	400
500x300	315	172	450
600x100	160	95	300
600x150	200	115	350
600x200	250	140	400
600x300	355	192	500
800x75	160	95	300
800x100	200	115	350
800x150	250	140	400
800x200	315	172	450
800x300	400	215	550
1000x75	200	115	350
1000x100	250	140	400
1000x150	315	172	450
1000x200	355	192	500
1000x300	400	215	550
1000x600	500	265	650
1500x150	400	215	550
1500x200	400	215	550