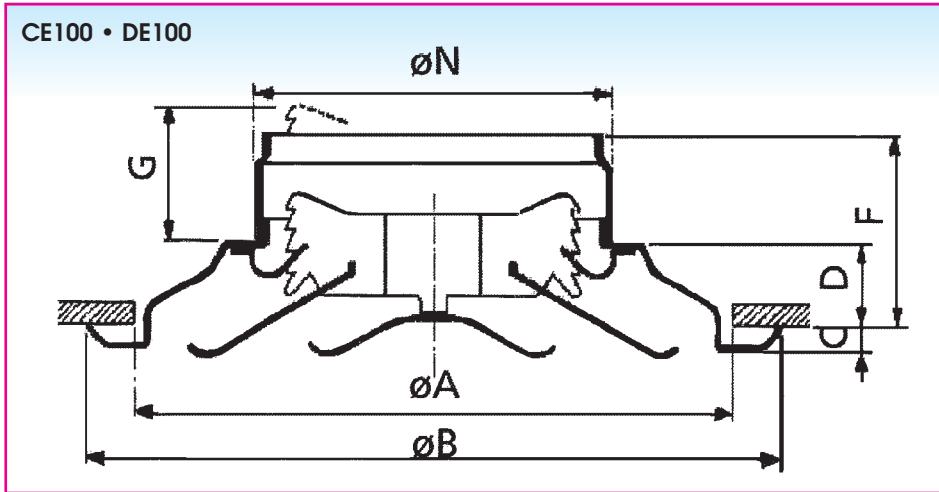


CIRCULAR DIFFUSER WITH ADJUSTABLE PATTERN CE100 • DE100

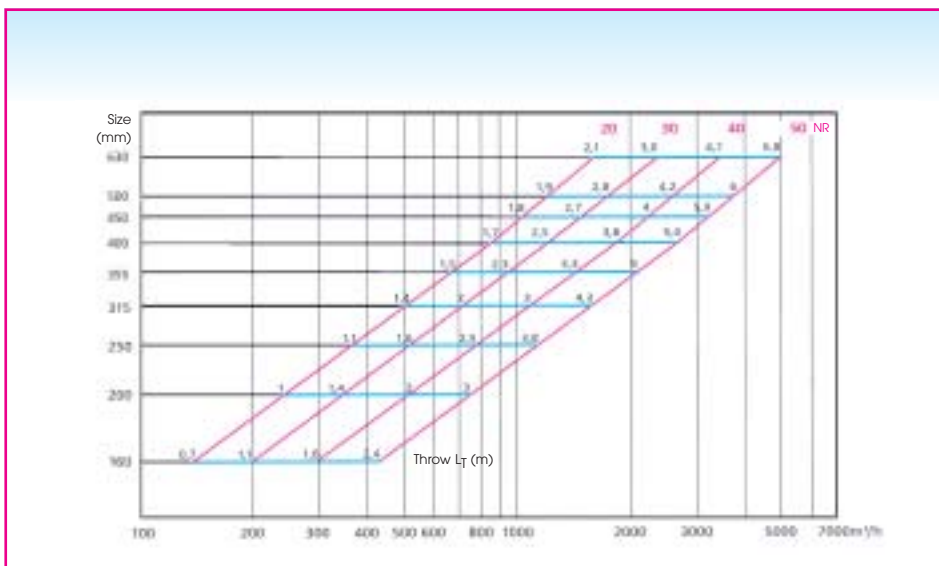
Installation dimensions



CE100	DE100	ØN	A	B	C	D	F	G
160	160	160	279	323	12	35	85	46
200	200	200	375	428	10	51	101	55
250	250	250	467	538	14	67	117	68
315	315	315	557	635	10	85	135	80
-	355	355	648	743	18	96	146	86
-	400	400	740	856	14	116	166	92
-	450	450	832	970	14	135	185	110
-	500	500	924	1081	17	149	199	116
-	630	630	1103	1286	18	182	232	116

G = Clearance for removal of centre core.
N = Nominal size = duct size. All dimensions in mm.
Same dimensions for CE120/DE120, except dimension G.

Fast selection diagram



Throw factor is based on a v_R of 0,17 m/s in the occupied zone.
See next page for a detailed selection.



Application

The diffuser type CE100 / DE100 is used for the supply and exhaust of cooled or heated air in facilities such as offices, shopping centres, workshops, factory halls, ...
The diffuser can be used for ceiling or exposed duct mounting, especially in installations when an adjustable pattern is required (horizontally-vertically).
Suitable for mounting at higher altitudes because of its adjustable pattern.



Vertical air pattern



Horizontal air pattern

Technical information

Characteristics :

- **CE100/DE100 :**
 - air pattern adjustable in 5 positions (vertically-horizontally)
 - removable centre core
- **DE120 :**
 - continuously adjustable (vertically-horizontally)
 - centre core not removable
 - available up to size 315 mm

- diffuser with several inner cones:
5 up to size 400:
2 inner rings
5 from size 450:
3 inner rings
- available dimensions:
160, 200, 250, 315, 355, 400, 450 and 500 mm.
(DE100: also available in 630 mm,
DE120 : 355, 400, 450 and 500 mm not available)

Specifications description

Example :

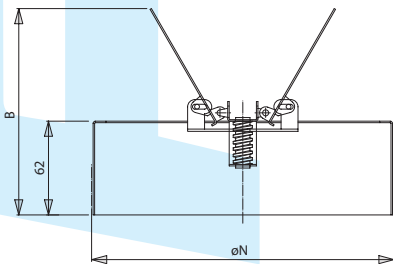
Circular steel diffuser with adjustable air pattern for ceiling mounting, complete with a damper.
The diffuser is painted white (RAL 9010)

Type : DE100 + DT003
size.... mm

Accessories

Damper Type DT112 for mounting with DE120:

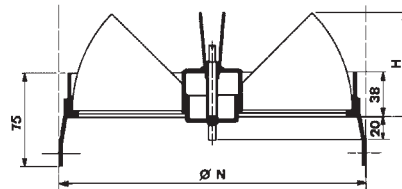
V-shaped damper sheet steel, painted black (RAL 9005).



Size	Ø N	B
160	160	130
200	200	150
250	250	175
315	315	207

Damper Type DT003 for mounting with DE100:

Radial, opposed blade damper.
Adjustable through the diffuser face.
Construction out of sheet steel, painted black (RAL 9005).

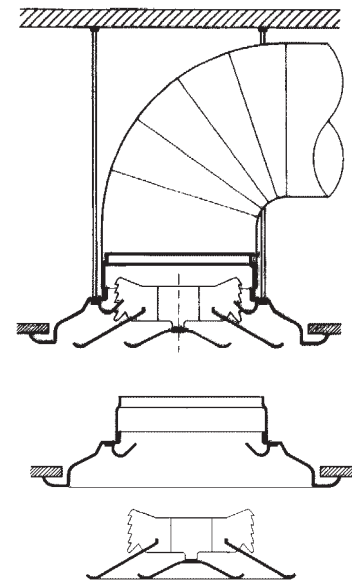


Size	ØN	H
160	160	55
200	200	69
250	250	89
315	315	109
355	355	124
400	400	139
450	450	157
500	500	175
630	630	221

N = duct size
H = expected height in duct

Fixing

- Mount damper in duct or diffuser neck
- Take out inner rings by pushing the rings inward, turn around and pull down.
- Mount external cone by means of screws through diffuser neck.
- Push inner rings again in external cone in one of the 5 positions required.



How to order

DE100 size 250 mm with damper Type DT003 size 250 mm.

a) Diffuser

D	E	1	0	0	-	-	0	2	5	0	0	0	0	0
---	---	---	---	---	---	---	---	---	---	---	---	---	---	---

Size

1 : mounting with 3 mounting straps and 3 screws

0 : gradually adjustable
2 : continuously adjustable

CE: aluminium construction (only CE100)
DE: steel construction (DE120 galvanised)

b) Damper

D	T	0	0	3	-	-	0	2	5	0	0	0	0	0
---	---	---	---	---	---	---	---	---	---	---	---	---	---	---

Size

***REMARK: plenum box DP150S see p. 8 020**

Possible deliveries

- **CE100:** aluminium construction, painted white (RAL 9010)
- **DE100:** steel construction, painted white (RAL 9010)
- **CE100P:** aluminium construction, CE100 integrated in false ceiling plate 594 x 594mm. (For further information, see p. 2 500)
- **DE100P:** steel construction, DE100 integrated in false ceiling plate 594 x 594mm. (For further information, see p. 2 500)
- **DE120:** continuously adjustable. Steel galvanised construction, painted white (RAL 9010)
- **DE120P:** Like DE120, integrated in false ceiling plate 594 x 594 mm (For further information, see p. 2 500)